

Compact Switchgear

Secondary Distribution



Overview

This solution has modular and compact cubicles with full SF6 insulation for medium voltage networks up to 36 kV. It is a modular solution for easy installation due to its dimensions and weight.

Operational safety is ensured by tests carried out in conformity with the most demanding standards, including the construction and weather resistance of the solutions. This solution allows for numerous configurations as well as the incorporation of several options in keeping with the demands of the customer.

The reduced dimensions allow for installation in compact substations. Available with up to 5 functions in a single stainless steel hermetically isolated tank, which ensures the protection of its active components against harsh environments.

It is available in a compact version that minimizes on-site work and a modular version that maximizes different function settings.

Characteristics

- Compact switchgear with SF6 insulation
- Equipped with an SF6 load break switch
- Equipped with a vacuum circuit breaker
- Developed in accordance with International Standard IEC 62271-200
- Unaffected by weather conditions
- Compact or modular version
- Internal arc resistant
- High electric and mechanical life (E3 and M2 classes)
- Stainless steel tank

Electrical characteristics

Rated voltage	12 kV	17.5 kV	24 kV	36 kV
Insulation level				
Impulse (1.2 / 50 ms)	28 kVp	38 kVp	50 kVp	70 kVp
Power frequency (50 Hz / 1 min)	75 kV	95 kV	125 kV	170 kV
Rated current	up to 630 A			
Short-time rated current	16 kA / 3 s; 20 kA / 3 s			
Temperature	-25 °C / +40 °C (others, upon request)			

Dimensions mm

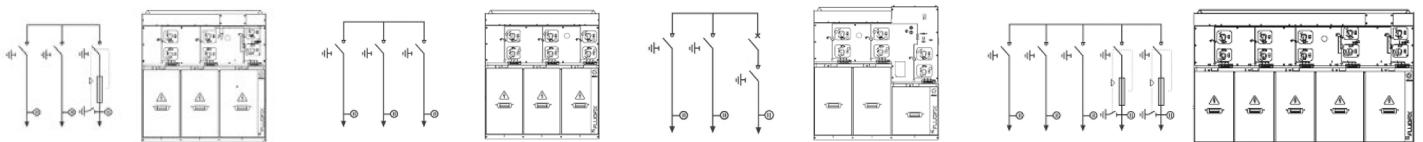
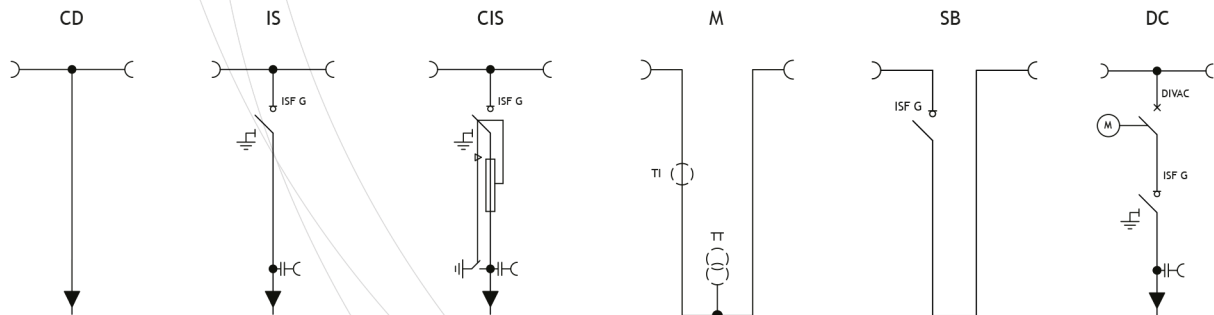
Height	1275	1728
Depth	727	900
Width	375 / 450 / 750	450 / 1000

Mechanical characteristics

Protection degrees	IP67 (for the medium voltage compartment)
---------------------------	---

Note: Dimensions are for reference purposes only.

Standard Features



2IS + CIS

3IS

2IS + DC

3IS + 2CIS